

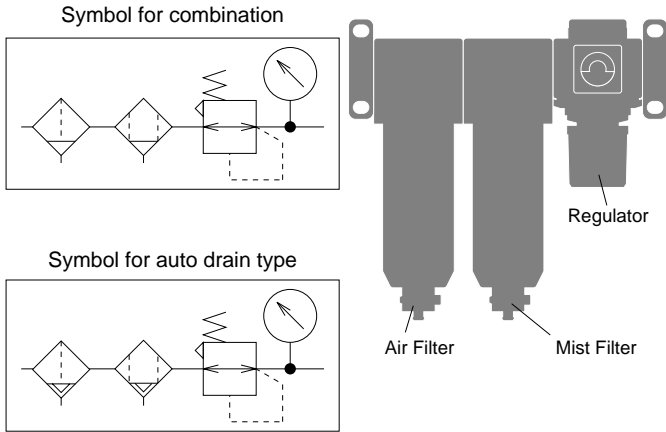
Filter & Regulator Combination Unit

Characteristics

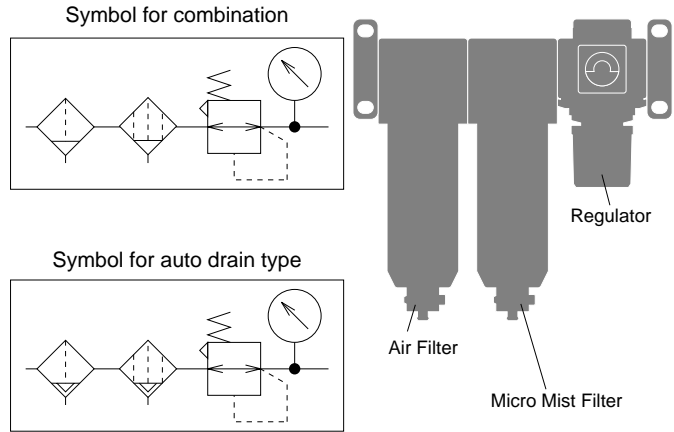
■ This modular type unit offers a rich variety of combinations and features easy maintenance.

Characteristics

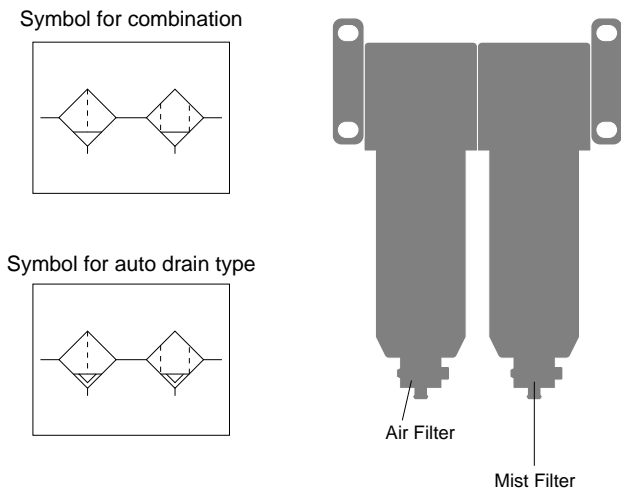
UADR Air Filter, Mist Filter and Regulator



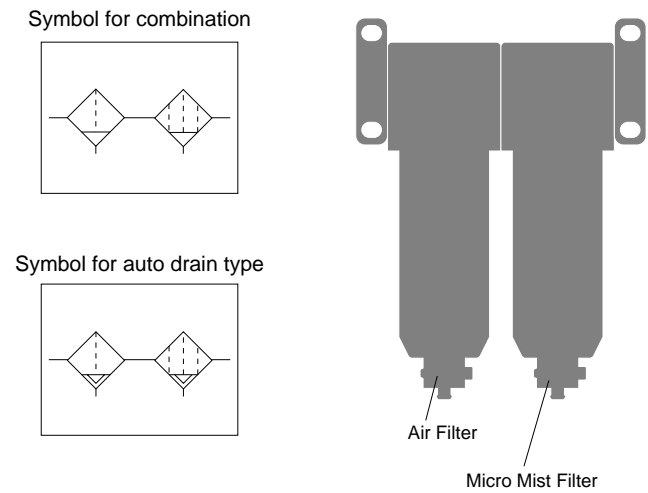
UAMR Air Filter, Micromist Filter and Regulator



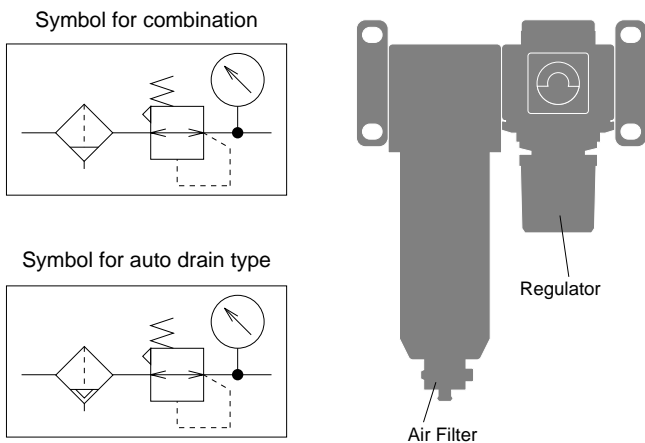
UAD Air Filter and Mist Filter



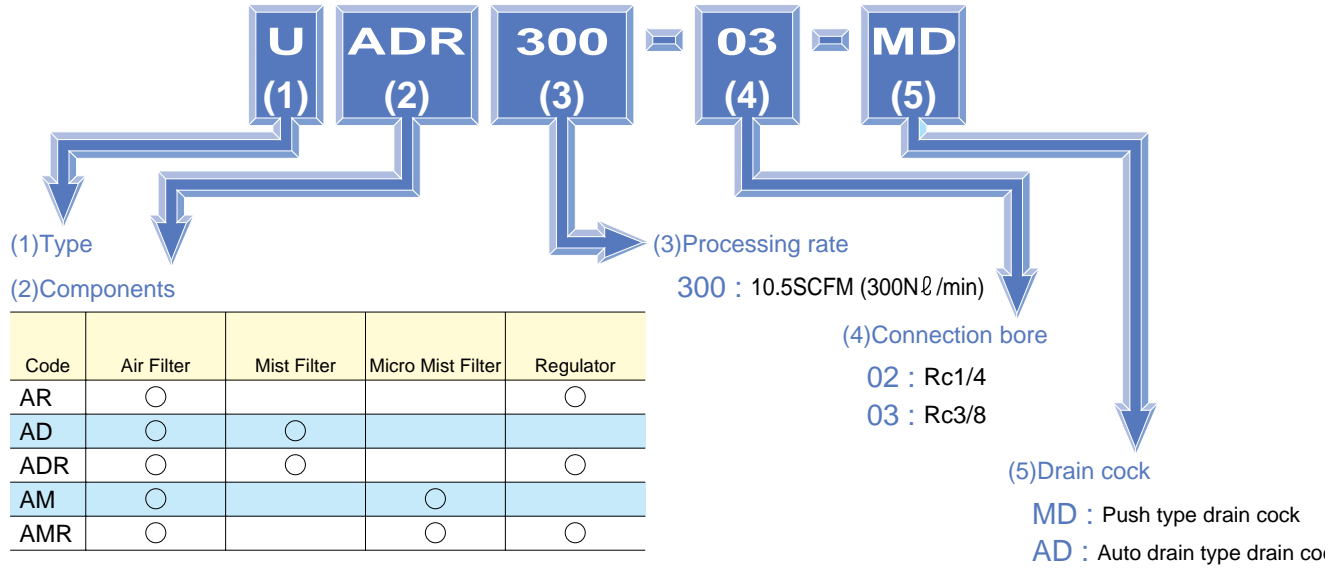
UAM Air Filter and Micromist Filter



UAR Air Filter and Regulator

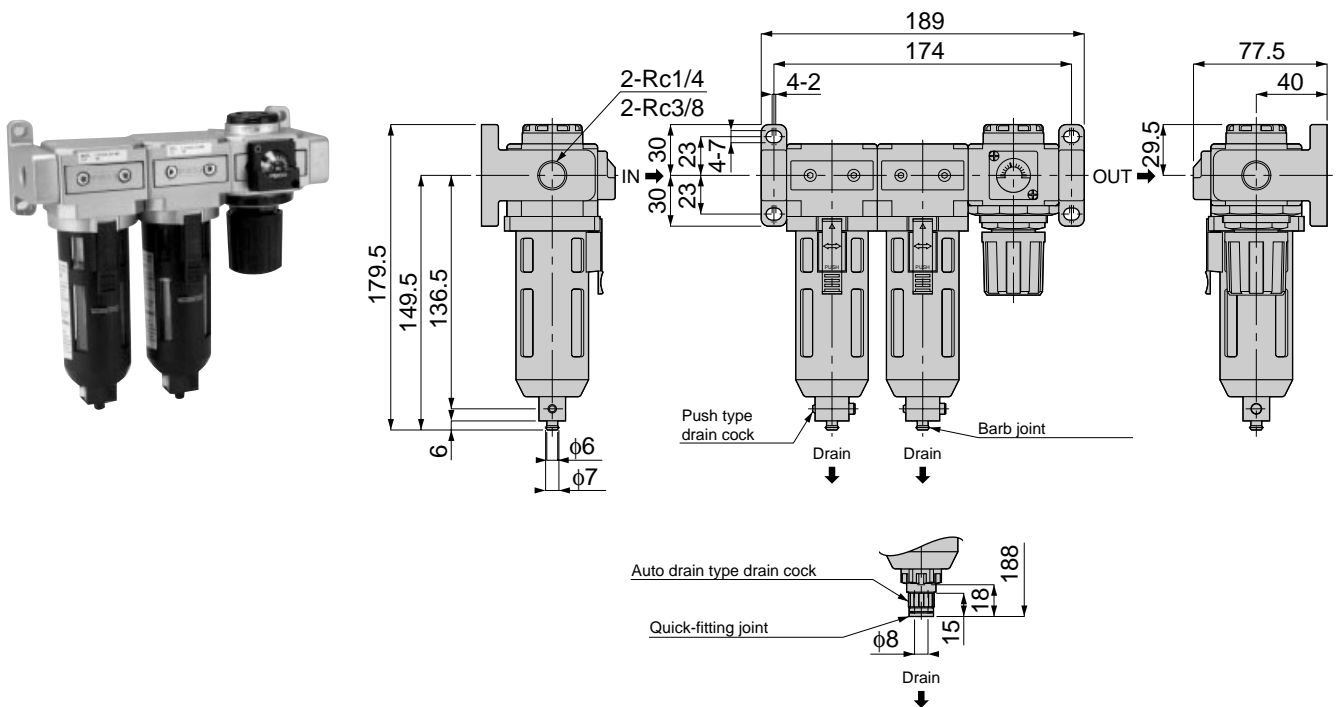


Model Designation (Example)



UADR
Air Filter, Mist Filter and Regulator

UAMR
Air Filter, Micromist Filter and Regulator



Unit: mm

Model	Weight (g)	
	(*) 02	(*) 03
UADR 300-□-MD	1179.5	1172.5
UADR 300-□-AD	1208.5	1201.5

(*) Connection bore

Unit: mm

Model	Weight (g)	
	(*) 02	(*) 03
UAMR 300-□-MD	1179.5	1172.5
UAMR 300-□-AD	1208.5	1201.5

(*) Connection bore



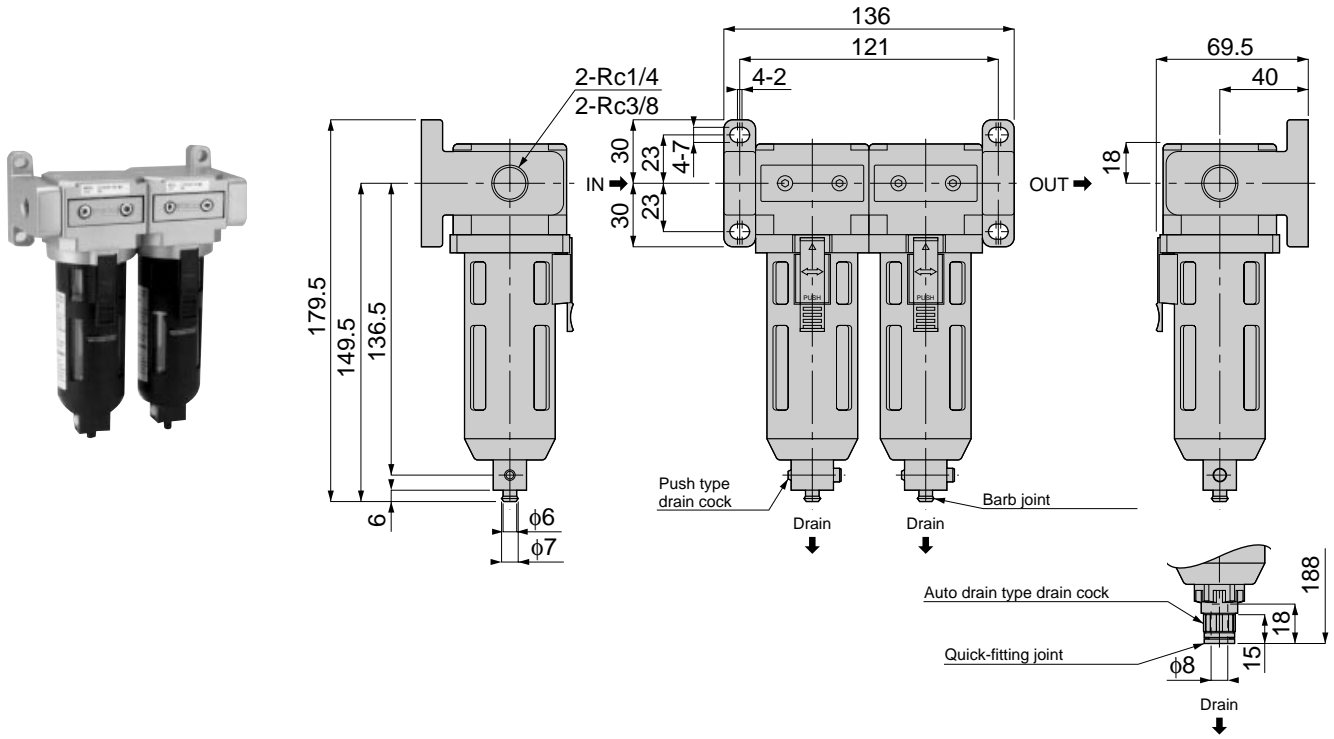
UAD

Air Filter and Mist Filter



UAM

Air Filter and Micromist Filter



Unit: mm

Model	Weight (g)	
	(*)02	(*)03
UAD 300-□-MD	812	805
UAD 300-□-AD	841	834

(*) Connection bore

Unit: mm

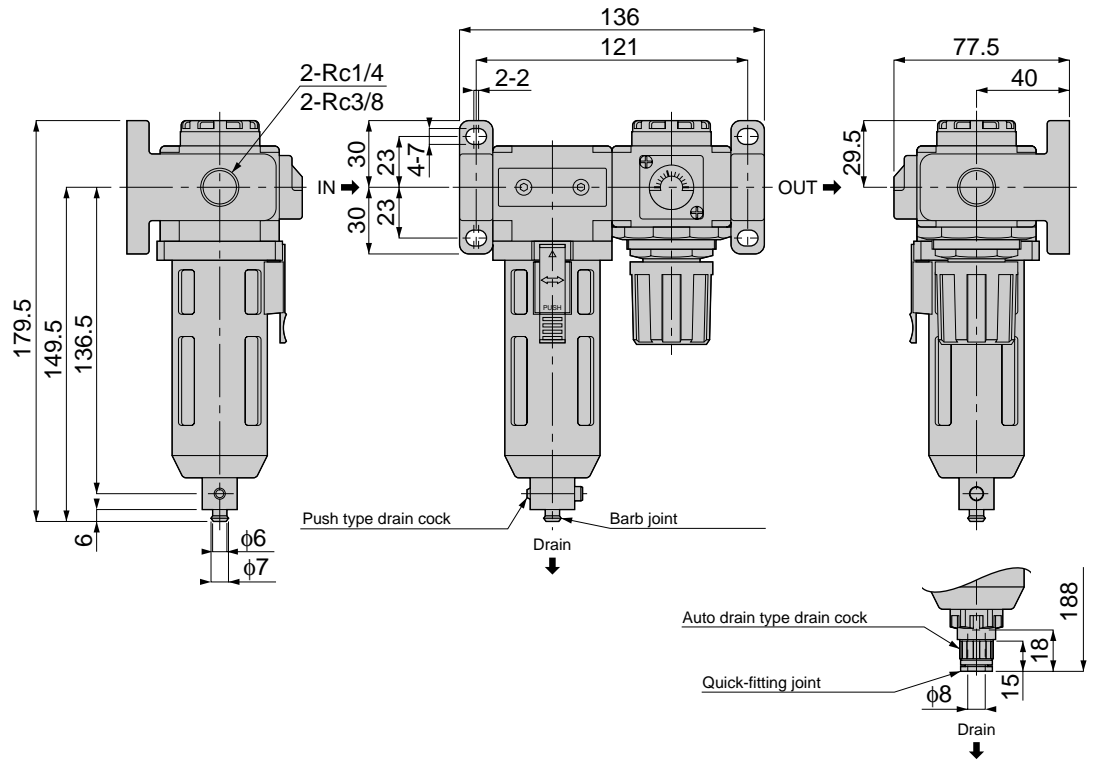
Model	Weight (g)	
	(*)02	(*)03
UAM 300-□-MD	812	805
UAM 300-□-AD	841	834

(*) Connection bore



UAR

Air Filter and Regulator



Unit: mm

Model	Weight (g)	
	(*)02	(*)03
UAR 300-□-MD	833	826
UAR 300-□-AD	847.5	840.5

(*) Connection bore