

Quick-fitting Type Vacuum Pad Vacuum Pad Soft Bellows Type

Features

- The pad rubber displaying an excellent elasticity, these Vacuum Pad models can hold paper and like objects. They can also hold plastic products without leaving any marks.
- ◆ Pad dia : $\phi 6 \sim \phi 20$ mm(0.24~0.79in.)
- ◆ Pad materials : Nitrile rubber, Silicon rubber
- ◆ Holder shape : 3 types

Model Designation (Example)

VPHC
(1)

10
(2)

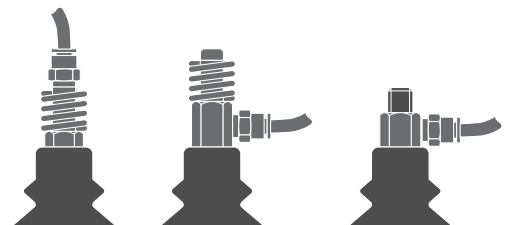
LBN
(3)

6J
(4)

(5)

(1)Holder type

VPHC	VPHD	VPHE
Spring type Vacuum port top	Spring type Vacuum port side	Direct mounting fixed type Vacuum port side



(3)Pad material

Code	LBN	LBS
Material	Nitrile rubber	Silicon rubber

(4)Joint size

Joint type	Quick-fitting joint
Code	6J
Size(O.D.xI.D.)	6mm×4mm(0.24~0.16in.)
Pad dia.	$\phi 6$ mm~ $\phi 20$ mm($\phi 0.24 \sim \phi 0.79$ in.)

(5)Hexagon flat-to-flat specification
U: Hexagon flat-to-flat inch spec. (NPT)
No code: Hexagon flat-to-flat mm spec.

(2)Pad dia.

Code	6	8	10	15	20	
dia.	mm	$\phi 6$	$\phi 8$	$\phi 10$	$\phi 15$	$\phi 20$
	inch	0.24	0.31	0.39	0.59	0.79

Model Designation for pad rubber

VP
(1)

10
(2)

LBN
(3)

(1)Type

(2)Pad dia

Code	6	8	10	15	20	
dia.	mm	$\phi 6$	$\phi 8$	$\phi 10$	$\phi 15$	$\phi 20$
	inch	0.24	0.31	0.39	0.59	0.79

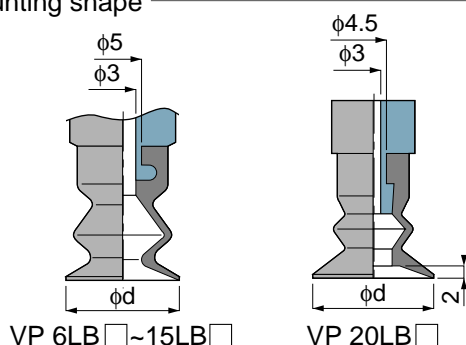
(3)Pad rubber material

Code	LBN	LBS
Material	Nitrile rubber	Silicon rubber

⚠ Detailed Safety Instructions

Before using the PISCO device, be sure to read the "Safety Instructions", "common Safety Instructions for Products Listed in This Manual" on page 23~24 and "Common Safety Instructions for Vacuum Pads on page 439~440.

● Pad mounting shape



unit : mm

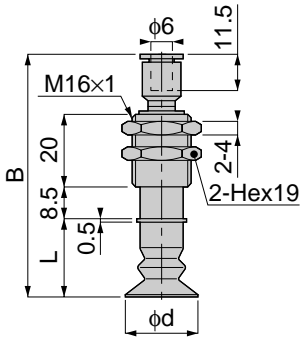
Type	Pad outer dia ϕd
VP 6LB□	6
VP 8LB□	8
VP 10LB□	10
VP 15LB□	15
VP 20LB□	20

Vacuum Series Vacuum Pad Soft Bellows Type

unit:mm

VPHC SOFT BELLOWS

Spring type
vacuum port top

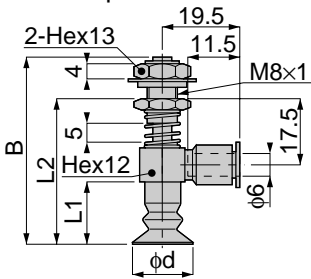


Model	Pad dia. φd	B	L	Spring force (N)	Mass (g)
VPHC 6LB□6J	6	61	15	0.98~1.76	21.5
VPHC 8LB□6J	8	61	15	0.98~1.76	21.5
VPHC 10LB□6J	10	61.5	15.5	0.98~1.76	21.5
VPHC 15LB□6J	15	63.5	17.5	0.98~1.76	22
VPHC 20LB□6J	20	65	20	0.98~1.76	22.5



VPHD SOFT BELLOWS

Spring type
vacuum port side

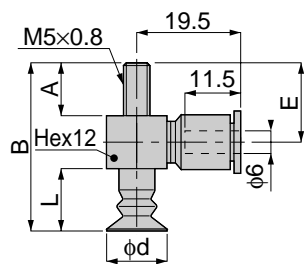


Model	Pad dia. φd	B	L1	L2	Spring force (N)	Mass (g)
VPHD 6LB□6J	6	47.5	15	37	1.57~2.06	31.5
VPHD 8LB□6J	8	47.5	15	37	1.57~2.06	31
VPHD 10LB□6J	10	48	15.5	37.5	1.57~2.06	31.5
VPHD 15LB□6J	15	50	17.5	39.5	1.57~2.06	31.5
VPHD 20LB□6J	20	52.5	20	42	1.57~2.06	33



VPHE SOFT BELLOWS

Direct mounting type
vacuum port side

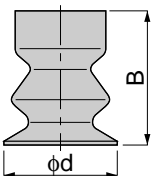


Model	Pad dia. φd	A	B	L	E	Mass (g)
VPHE 6LB□6J	6	8	33	15	13	17
VPHE 8LB□6J	8	8	33	15	13	17
VPHE 10LB□6J	10	8	33.5	15.5	13	17
VPHE 15LB□6J	15	8	35.5	17.5	13	17
VPHE 20LB□6J	20	10	40	20	15	19



VP SOFT BELLOWS

Soft bellows type
Pad rubber alone



Model	Pad dia. φd	B	Mass (g)
VP 6LB□	6	15	1
VP 8LB□	8	15	1
VP 10LB□	10	15.5	1
VP 15LB□	15	17.5	1
VP 20LB□	20	20	2

